



MODEL: VX504

AM/FM CLOCK RADIO



	<p>CAUTION RISK OF ELECTRIC SHOCK DO NOT OPEN</p>	
<p>The lightning flash symbol within the triangle is a warning sign alerting you of "dangerous voltage" inside the product.</p>	<p>CAUTION: TO REDUCE THE RISK OF ELECTRIC SHOCK, DO NOT REMOVE COVER (OR PARTS) INSIDE. REFER TO SERVICE PERSONNEL.</p>	<p>The exclamation mark symbol within the triangle is a warning sign alerting you of important instructions accompanying the product.</p>

CAUTION : TO PREVENT ELECTRIC SHOCK, MATCH WIDE BLADE OF PLUG TO WIDE SLOT, FULLY INSERT.

WARNING: TO REDUCE THE RISK OF FIRE OR ELECTRIC SHOCK, DO NOT EXPOSE THE APPLIANCE TO RAIN OR MOISTURE.

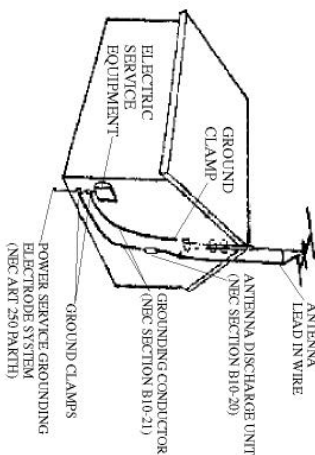
SAFETY INSTRUCTIONS
THESE IMPORTANT SAFETY INSTRUCTIONS ARE INCLUDED, AS APPLICABLE TO THE APPLIANCE, CONVEYING TO THE USER THE INFORMATION ITEMIZED BELOW

1. Read instructions-All the safety and operating instructions should be read before the appliance is operated.
2. Retain instructions-The safety and operating instructions should be retained for future reference.
3. Read Warnings-All warnings and cautions on the appliance and in the operating instructions should be adhered to.
4. Follow instructions-All operating and use instructions should be followed.
5. Water and Moisture-The appliance should not be used near water, e.g. near a bathtub, washbowl, kitchen sink, laundry tub, in a wet basement, or near a swimming pool or lake.
6. Wall or Ceiling Mounting-The appliance should not be mounted to a wall or ceiling.
7. Ventilation-The appliance should be situated so that its location or position does not interfere with its proper ventilation. For example, the appliance should not be situated on a bed, sofa, rug or similar surface that may block the ventilation openings, or placed in a built-in installation, such as a bookcase or cabinet, that may impede the flow of air through the ventilation openings.
8. Heat-The appliance should be situated away from heat sources such as radiators, heat registers, stoves, or other appliances (including amplifiers) that produce heat.
9. Power Sources-The product should be operated only with the type of power supply indicated on the marking label. If you are not sure of the type of power supply to your home, consult your product dealer or local power company. For products intended to operate from battery power, or other sources, refer to the operation instructions.

OPERATING INSTRUCTIONS

10. Grounding Polarization-This product may be equipped with a polarized alternating current line plug (a plug having one blade wider than the other). This plug will fit into the power outlet only one way. This is a safety feature. If you are unable to insert the plug fully into the outlet, try reversing the plug. If the plug should still fail to fit, contact your electrician to replace your obsolete outlet. Do not defeat the safety purpose of the polarized plug.
11. Power-Cord Protection-Power supply cords should be routed so that they are not likely to be walked on or pinched by items placed upon or against them, paying particular attention to cords at plugs, convenience receptacles, and the point where they exit from the appliance.
12. Cleaning-The appliance should be cleaned only as recommended by the manufacturer.
13. Nonuse periods-The power cord of the appliance should be unplugged from the outlet when left unused for a long period of time.
14. Object and Liquid Entry-Care should be taken so that objects do not fall and liquids are not spilled into the product case through product openings.
15. Damage Requiring Service-Unplug this product from the wall outlet and take it to qualified service personnel under the following conditions:
 - a) When the power-supply cord or plug is damaged.
 - b) If liquid has been spilled into, or objects have fallen into the product.
 - c) If the product has been exposed to rain or water.
 - d) If the product does not operate when used according to the operating instructions.
 Adjust only those controls that are covered by the operating instructions as an improper adjustment of other controls may interfere with the product's normal operation.
- e) If the product has been dropped or damaged in any way.
- f) When the product exhibits a distinct change in performance- this indicates a need for service.
16. Servicing - The user should not attempt to service the product beyond that described in the operating instruction. All servicing should be referred to qualified service personnel.
17. Power Lines-An outside antenna system should not be located in the vicinity of overhead power lines, or other electric light or power circuits, or where it can fall into such power lines or circuits. When installing an outside antenna system, extreme care should be taken to keep from touching power lines or circuits as contact with them might be fatal.
18. If an outside antenna is connected to the receiver, be sure the antenna system is grounded so as to provide some protection against voltage surges and built up static. Section 810 of the National Electrical Code ANSI/NECA 70 provides information with respect to proper to grounding of the mast and supporting structure, grounding conductors, location of antenna-discharge unit, size of grounding electrodes, and requirements for the grounding electrode (see figure)

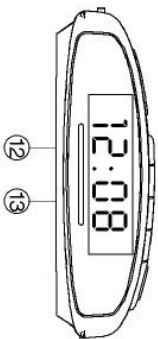
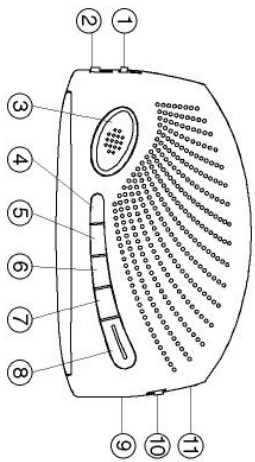
EXAMPLE OF ANTENNA GROUNDING AS PER NATIONAL ELECTRICAL CODE



NEC NATIONAL ELECTRICAL CODE
Do not apply oil or petroleum products to this product.

CAUTION
Invisible laser radiation will be emitted when the product is open and interlocks are defeated. Do not defeat the safety interlocks.

GRAPHIC SYMBOLS WITH SUPPLEMENTARY MARKINGS ARE LOCATED ON THE BOTTOM OF THE UNIT.



1. DIMMER LOW/ HIGH SWITCH
2. ON/OFF/AUTO SWITCH
3. SNOOZE SET BUTTON / NIGHT LIGHT
4. SLEEP BUTTON
5. ALARM SET BUTTON
6. MINUTE SET BUTTON
7. HOUR SET BUTTON
8. ALARM/NIGHT LIGHT ON/OFF BUTTON
9. TUNING CONTROL KNOB
10. AM/FM BAND SWITCH
11. VOLUME/BUZZER ON CONTROL KNOB
12. DIAL SCALE
13. BATTERY BACK UP COMPARTMENT

OPERATING INSTRUCTIONS

To set the clock time
 Plug the product into a standard 120V AC electrical outlet

1. To set the current clock hour(s)
- Press the HOUR Set button until the desired hour(s) is reached.
2. To set the current clock minute(s)
- Press the MIN Button until the desired minute(s) is reached.

To set and use the alarm function

The alarm may be set to wake up to an alarm buzzer or the radio.
 NOTE: All alarm functions are deactivated when the ON/OFF/AUTO Switch is set to the ON Position, as the radio is use

1. Ensure the current time is set
2. Press and hold the AL.SET Button
- Press the HOUR Button until the desired hour(s) is reached.
- Press the MIN Button until the desired minute(s) is reached.
- Release the AL.SET Button.
3. Slide the ON/OFF/AUTO switch to the AUTO position
4. Press the ALARM/NIGHT LIGHT ON/OFF BUTTON. A Red dot appears next to AL in the clock LED display.
 Note: To turn on the alarm function, Slide ON/OFF/AUTO to AUTO position. Then press the ALARM ON/OFF button.
5. The Night Light will light up and a red dot appears next to AL in the clock LED display.
6. Select the alarm sound (to awake by):
- To wake up to the alarm buzzer:
 1. Rotate the VOLUME Knob until it clicks into the BUZZ position.
 2. The alarm buzzer will sound at the set alarm time.
- To wake up to the radio:
 1. Rotate the VOLUME Knob to the desired volume level.
 2. Tune the radio to the desired bandwidth (AM or FM) and broadcasting station.
 3. The radio will sound at the set alarm time.
7. To deactivate the alarm, Press the ALARM/NIGHT LIGHT ON/OFF BUTTON. A red dot no longer appears next to AL in the clock LED display.

To use the Snooze function

The snooze function can be used to silence the alarm for nine (9) minutes once activated. When the buzzer or radio alarm sounds, lightly touch the SNOOZE button.

Note: the SNOOZE button operates the snooze function only when the ON/OFF/AUTO switch is set to the AUTO position.

To use the sleep function

The sleep function can be used to play and turn off the radio after a set amount of time (up to 1 hour 59 minutes) has elapsed.

1. Slide the ON/OFF/AUTO switch to OFF position.
 NOTE: if using the alarm function simultaneously with the sleep function, set the ON/OFF/AUTO switch to the AUTO position to ensure alarm activation. The alarm function will be set to wake up by the radio. The sleep function cannot be used with the buzzer alarm.
2. Press the SLEEP BUTTON.
 The clock LED display shows "0:59"
3. To adjust the sleep function time:
 - Press and hold the sleep button
 - Press the HOUR button to adjust the hours (0 -1)
 - Press MIN Button to reduce/adjust the minute(s) (0-59)
4. • After the set sleep function time has elapsed, the radio will turn itself off.
5. • To deactivate the sleep function before the timer has elapsed, press the SNOOZE Button.

To operate the radio:

1. Slide the ON/OFF/AUTO switch to ON position.
2. Slide the Band Switch to the desired bandwidth (AM or FM)
3. Rotate the Tuning Control Knob to the desired radio station.
 Note: for better AM reception, rotate the radio to better position the built-in directional antenna.
4. Rotate the Volume Control Knob to a comfortable listening level.
5. To switch off the radio, slide the ON/OFF/AUTO switch to the OFF position.

DIMMER

Slide to the "HIGH" position for brighter. To "LOW" position for Dimmer.

NIGHT LIGHT

The light is only light up when the alarm in auto mode.

SPECIFICATIONS

Power Source	: AC 120V/ 60 Hz 6W
Battery Back up	: 9V (Not Included)
Frequency Range	: AM 530 - 1700 KHz
	FM 88 - 108 MHz

" FOR ADDITIONAL SET UP OR OPERATING ASSISTANCE, PLEASE CONTACT CUSTOMER SERVICE AT (954) 660-7100. PLEASE KEEP ALL PACKAGING MATERIAL FOR AT LEAST 90 DAYS IN CASE YOU NEED TO RETURN THIS PRODUCT TO PLACE OR PURCHASE. FOR PARTS AND ACCESSORIES, CONTACT FOX INTERNATIONAL AT 1-800-321-6993"